

Wired & Wireless AV Content Sharing/Presentation/Collaboration

SV WSP 511AO 4K

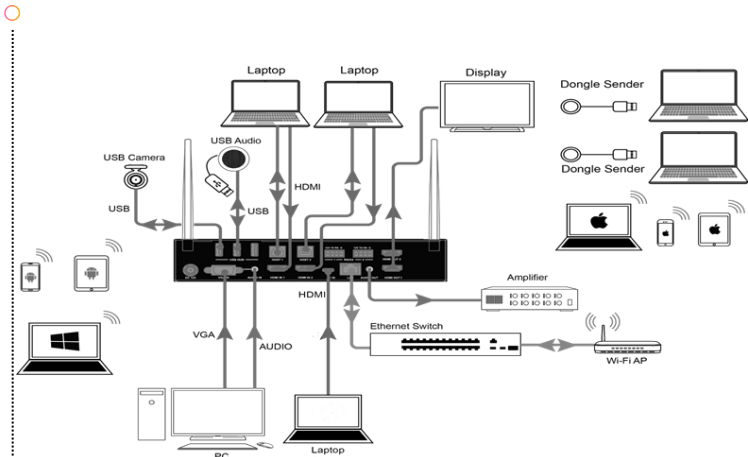
4K/60 UHD (4:4:4) | HDCP 2.2 Compatible

The Solvision SV WSP 511AO 4k is An engineering-grade 4-port BYOD Wired and Wireless Conference Presentation Switcher; supports up to 4k high-definition resolution; compatible with HDMI interface devices; supports infrared remote control switching and panel button switching 4K60 18G 4x1 seamless switcher among 4 local inputs and wireless BYOD inputs, it provides 1 USB-B, 3 USB-A ports to connect with host PC and HID devices, supporting multi-viewer mode with configurable layout.



Features

- The SV WSP 511AO 4K Wireless Multi-Function Presentation Scaler switcher is integrated with BYOD.
- Support Windows/MAC/Android/iOS, airplay, USB dongle, HDMI dongle, Type C dongle.
- Support 4-way USB2.0 peripheral shared handover (KVM).
- HDMI input and output support hdmi2.0, support 3840x2160@60Hz.
- Support Telnet and RS232 control Support 4K SCALER. Support HDMI, VGA, and Wireless screen share input.
- Support automatic switching, and priority switching. Support Annotation and Whiteboard.
- Support multi-window preview for wireless input. Wireless input supports USB touch feedback.
- Audio breakout to analogue audio



Specifications

- **Video Input Connectors:** 3 x HDMI Type A, 19-pin, female
- **Video Input Connectors:** 1 x VGA , female
- **Video Output Connectors:** 1 x HDMI Type A, 19-pin, female
- **Audio Output Connectors:** 1 x 3.5mm stereo jack
- **RS-232 serial port:** 2 x 3-Pin Phoenix connector
- **Control:** Telnet, RS232, CEC
- **USB Connectors:** 5 x USB Type A female
- **WiFi:** 2.4G & 5G
- **Casing Dimensions (W x H x D):** 215mm x 165mm x 43.5mm (excluding antennas)
- **Operating Temperature:** +32° ~ +104° F (0° ~ +40° C)
- **Storage Temperature:** -4° ~ +140° F (-20° ~ +60° C)
- **Power Supply:** 12V/2A DC, screw type barrel connector
- **Safety :** CE, c-UL, UL



- NEEDS:**
- ✓ Full-HD/4K
 - ✓ Mirror Lap-top
 - ✓ Mirror
 - ✓ Mobiles/Tablets
 - ✓ Free of Cable
 - ✓ Free of Trouble
 - ✓ Clean
 - ✓ Quick-switch

SOLVISION TECHNOLOGY

27 Elder Road, Working
Surrey GU24 9HB UK
info@solvisionav.com

9 A, Blackwood Avenue,
Mentone, VIC- 3194
salesaustralia@solvisionav.com

629 Redstone Drive NE, Calgary
AB, T3N, 1KB Alberta
salescanada@solvisionav.com

SOLVISION INDIA

D-9th Floor SAS Tower-B
Sector -38 Gurugram Haryana- 122001
salesindia@solvisionav.com

Specifications

SV WSP 511AO 4K

Inputs Connectors	
Wireless Input	WIFI 11n/ac, airplay, DLNA, android APK; windows EXE, MAC,app; IOS app
HDMI Input	3XHDMI 19-pin female connector
HDMI Format Compliance	HDMI1.4/HDMI2.0, HDCP1.4/2.2
HDMI Input Resolution	Max 3840x2160 @ 60Hz YUV 4:4:4
VGA Input	Max 1920x1080 @ 60Hz
Analog Audio Input	1X 3.5mm PC audio female connectors
USB Input	HDMI/VGA: 4 xUSB 2.0 Type A .Wireless: 2 x USB 2.0 Type A
Outputs Connectors	
HDMI Output	1XHDMI 19-pin female connector
HDMI Output Resolution	1920x1080@60Hz, 3840x2160@30Hz/60Hz, 1920x1200@60Hz
HDMI Format Compliance	HDMI1.4/HDMI2.0, HDCP1.4/2.2
Analog Audio Output	1X 3.5mm PC audio female connectors
Audio Output Formats	HDMI: embedded digital audio De-embedded analog stereo audio: 20 kΩ impedance
USB output	4 x USB 2.0 Type B
Features	
Number of window simultaneous on screen	1
Number of simultaneous connections	Max 14
Data rate in wireless	Up to 866bps
Video Playback Frame Rate	20-30 FPS
Wireless transmission protocol	IEEE 802.11 a/g/n/ac
Frequency band	2.4 GHz & 5 GHz
Video Capacity	1080P @ ≤ 60Hz Airplay for IOS devices 1080P @ ≤ 60Hz "WirelessMedia" app
Mobile Capability	Free IOS app, Free Android app, AES WPA PSK, WPA2 PSK, Encryption
Control	Remote Mouse
On-Screen Setting	Configuration Visual Button, by HID mouse, or remote control on APP
Control	Telnet, RS232, CEC
Mechanical	
Dimension (W x D x H)	215mm x 165mm x 43.5mm
Weight	2.2 lbs (1.0kg)
Environmental	
Operating Temperature	+32° ~ +104° F (0° ~ +40° C)
Storage Temperature	-4° ~ +140° F (-20° ~ +60° C)
Humidity (Storage/Operating)	20% ~ 90% (non-condensing)
Power	
DC Power	12V
Power Consumption	12W (max.)
Safety	CE, c-UL, UL
Accessories Included	
Power Adapter	1x DC adapter with four plug-in, US, Europe, UK, Australia

SOLVISION TECHNOLOGY

27 Elder Road, Working
Surrey GU24 9HB UK
info@solvisionav.com

9 A, Blackwood Avenue,
Mentone, VIC- 3194
salesaustralia@solvisionav.com

629 Redstone Drive NE, Calgary
AB, T3N, 1KB Alberta
salescanada@solvisionav.com

SOLVISION INDIA

D-9th Floor SAS Tower-B
Sector -38 Gurugram Haryana- 122001
salesindia@solvisionav.com